



AMERICA'S CUP

REGATTA DIRECTOR NOTICE #4

Issued 28 May 2015

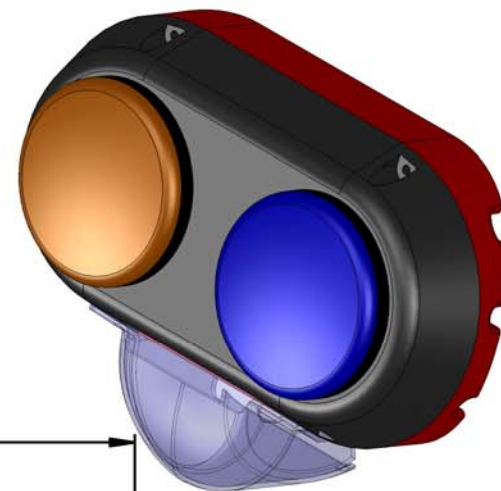
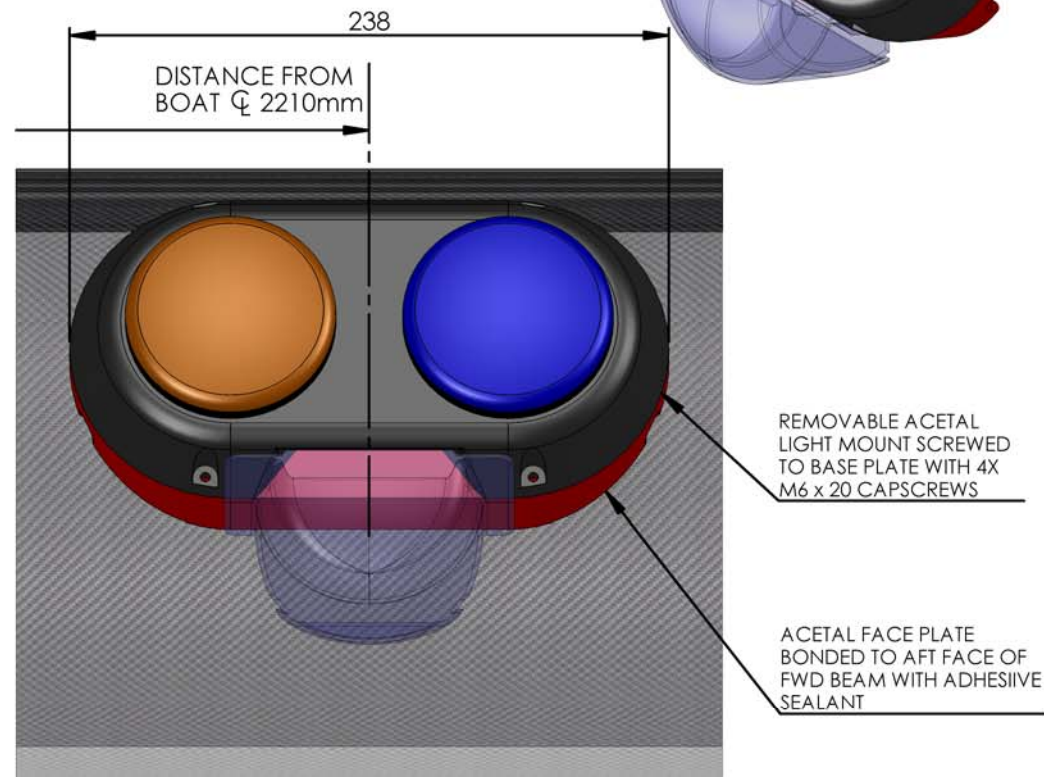
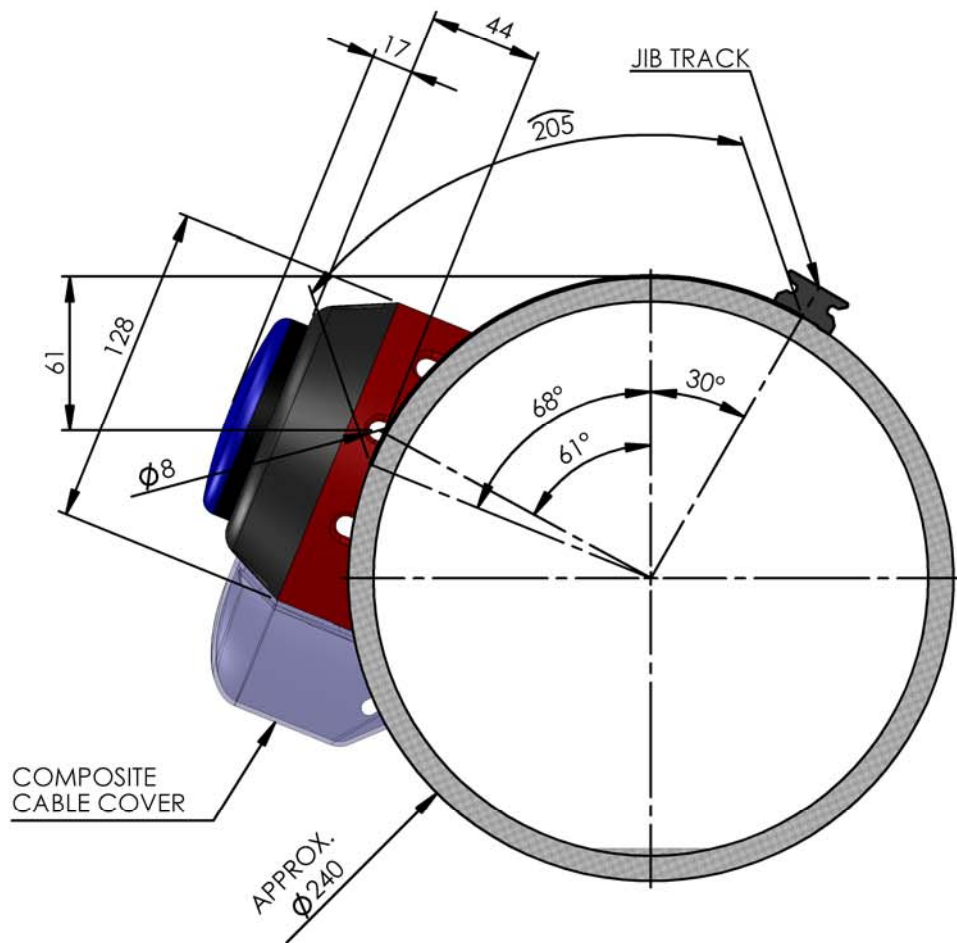
Re: Media Modification for the AC45F

In accordance with AC45 Class Rule 2.0 Appendix F, please find the following drawings from ACTV attached:

1. AC45 Forward Beam Light Mount
 - This describes the new beam light solution and mounting plate that will be supplied for the AC45F
 - The team will be required to fix the mounting plate (shown in red, provided to teams by ACTV in Southampton/Portsmouth) to the beam in accordance with the attached drawing
 - This mounting plate has a central hole to pass the board rake measurement string system (two alternate positions available upper and lower)
 - No further modification to the parts will be approved
2. Rules Display Mount P1
 - a. Shows the two positions for the rules display,
 - i. The current approved forward position
 - ii. The new alternate aft position
 - b. Any non standard position will require approval from ACRM or the ACTV On Board Media Manager

--

Iain Murray
Regatta Director



MATERIAL: ACETAL	QUANTITY: x14	P1	19-5-15	ISSUED FOR COMMENT	GD	-
FINISH: BLACK	WEIGHT: 0.0 kg	ISSUE:	DATE:	DESCRIPTION:	DRAWN:	CHECK:

JVD DESIGN

8 Aumoe Ave, Auckland 1071, New Zealand
 Ph: 64 (0)21 213-7749, Skype: glyn_davies_nz
 Email: gdavies@marinedataservice.com

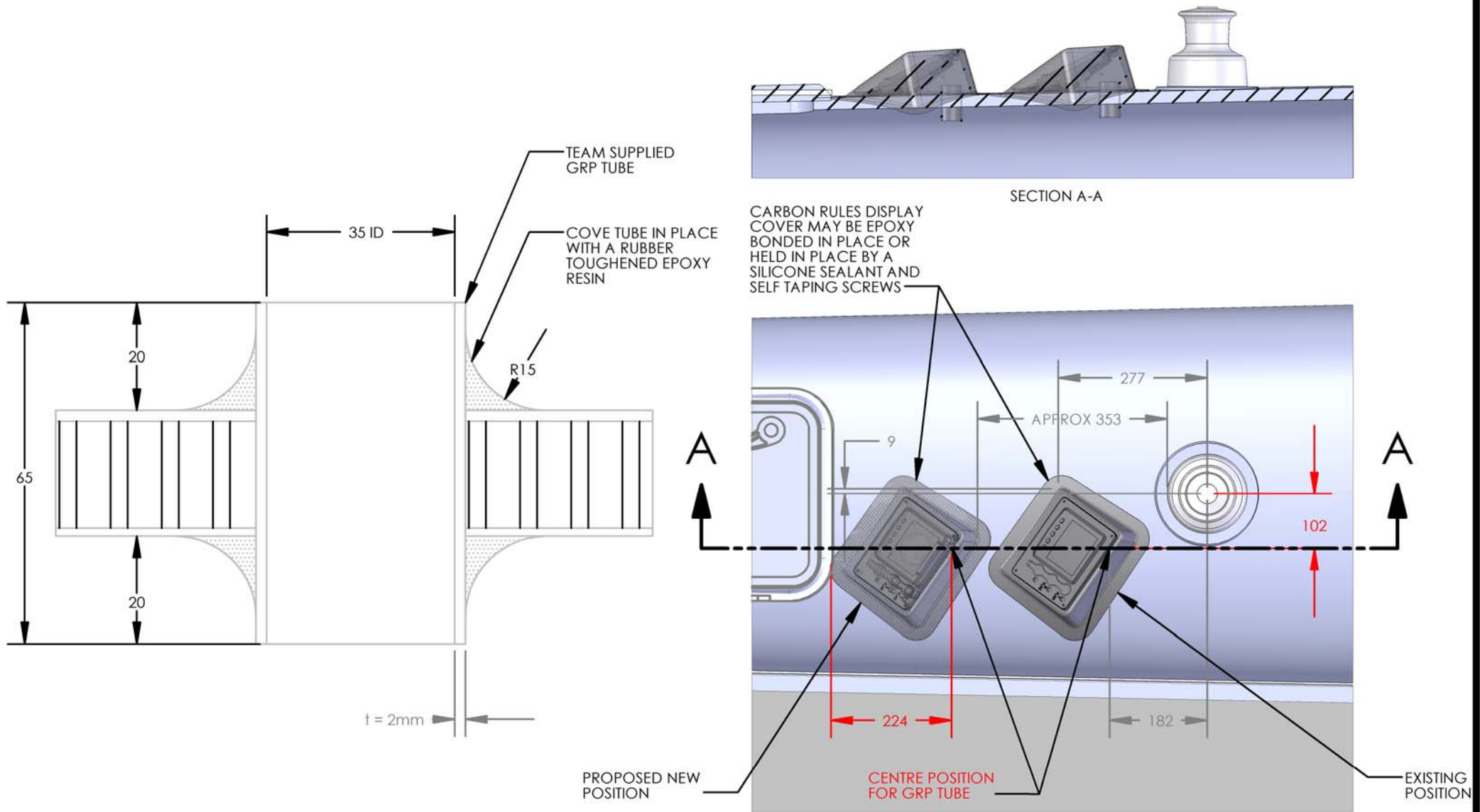
AC45' FWD BEAM LIGHT MOUNT
AC45' 35th America's Cup

Designs & drawings remain the property of Glyn Davies. The copying, transcription, re-use or sale of this information without written authorisation may result in prosecution.

DESIGN: GLYN DAVIES
 DRAWN: GLYN DAVIES

SCALE @ A4 SHEET 1 OF 1
 1:3

35-AC45-001



MATERIAL: -	QUANTITY: -	P1	19-5-15	ISSUED FOR COMMENT	GD	-
FINISH: -	WEIGHT: 0.0 kg	ISSUE:	DATE:	DESCRIPTION:	DRAWN:	CHECK:

JVZ DESIGN

8 Aumoe Ave, Auckland 1071, New Zealand
 Ph: 64 (0)21 213-7749, Skype: glyn_davies_nz
 Email: gdavies@marinedataservice.com

AC45' RULES DISPLAY MOUNT

AC45' 35th America's Cup

Designs & drawings remain the property of Glyn Davies. The copying, transcription, re-use or sale of this information without written authorisation may result in prosecution.

DESIGN: GLYN DAVIES
 DRAWN: GLYN DAVIES

SCALE @ A4 SHEET 1 OF 1
 1:10

35-AC45-002