



Request for Interpretation No. 22

of

AC Class Rule Version 1.4: December 8<sup>th</sup> 2015

---

**Rule References:**

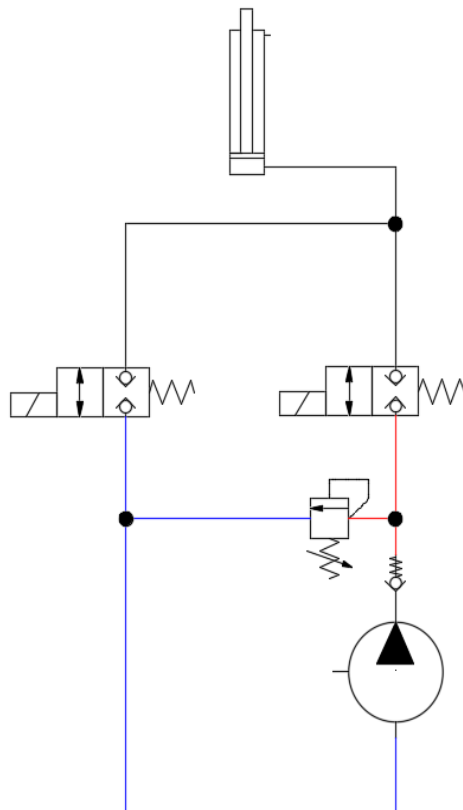
- 6.17 350 bar pressure relief valves shall be located on the supply side of hydraulic systems in order to limit maximum system pressure. Prior to November 30, 2015, the **Measurement Committee** may specify standard relief valves and their location in the hydraulic systems of the **AC Class Yacht**.

Interpretation 17

---

**Questions:**

1. Is it permissible for the pressure inside a hydraulic cylinder to exceed 350 Bar due to application of external force to the cylinder (as may occur in the circuit below)?



Relief valve set to <350 Bar

If the answer to 1 is no,

2. Is it permissible to use this circuit if it is shown by calculation that cylinder pressure will not exceed 350 Bar under all applied load cases?
-

**Interpretation:**

1. No.
2. No.

Note: Any required relief valves must be sized such that pressure does not exceed 350 bar in the face of maximum flow.

END

Issued by the America's Cup Measurement Committee on May 22, 2016